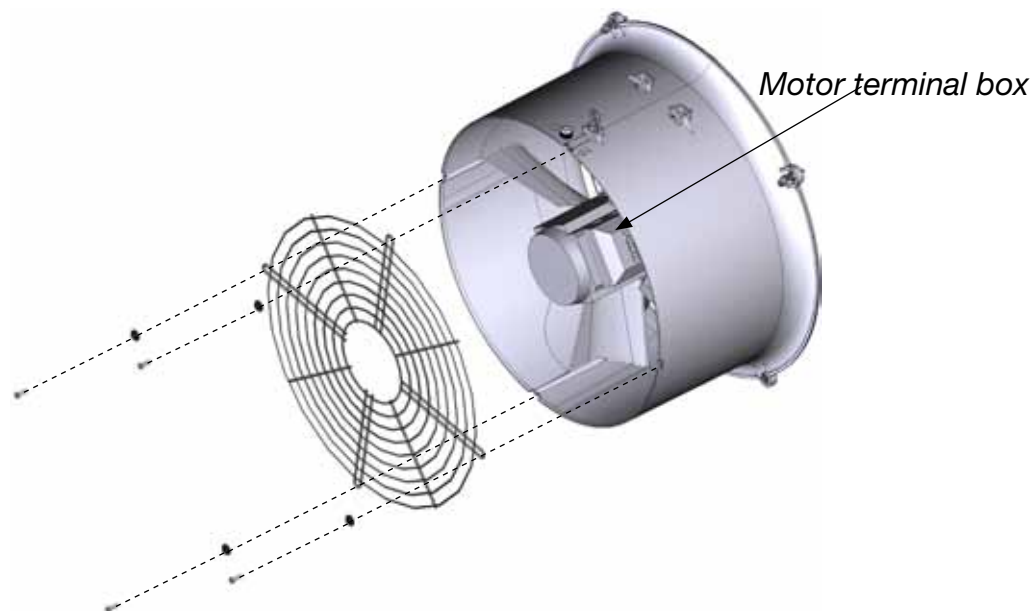


This kit is necessary to allow proper use of the ACF 21P circulator with single-phase power supply. Any other use is to be considered improper.

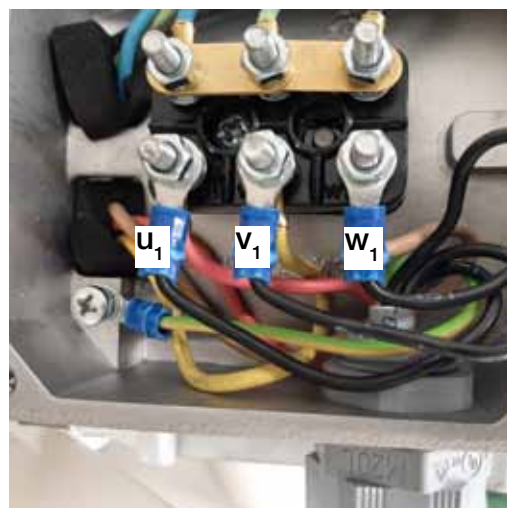
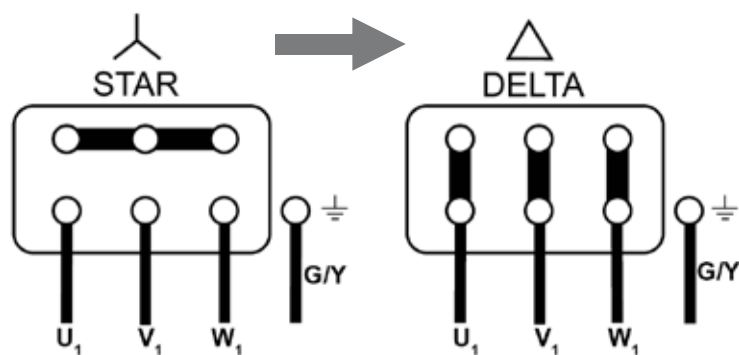
## WARNING

The connection of the circulator to the power supply network must be carried out by qualified and trained personnel and in compliance with the regulations in force in the country of destination. Before connecting to the network, isolate the power line by opening the main switch.

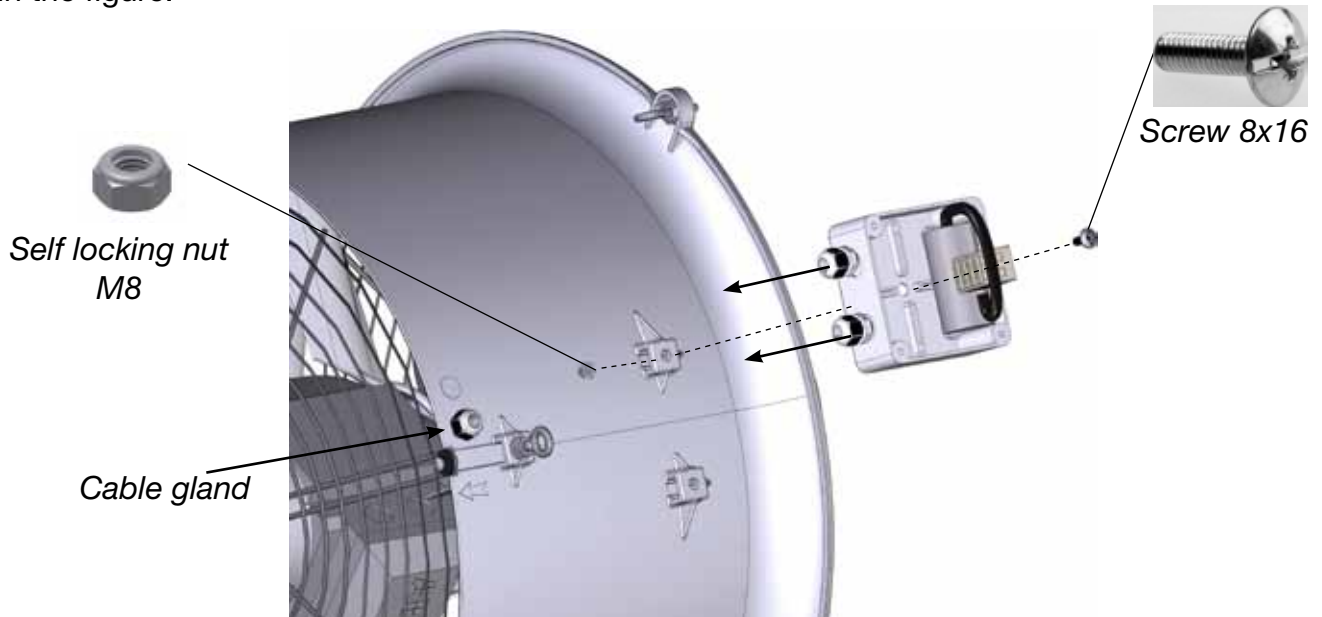
1. Remove the air outlet net:



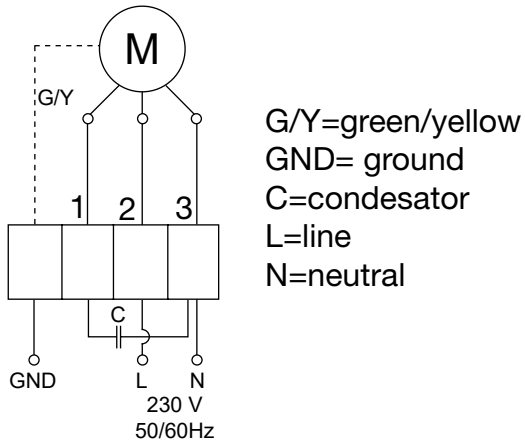
2. Open the motor terminal box cover and change the position of the connection plates from Star to Delta. Tighten the connection nuts with a torque of 3 Nm (tight but not too much) and close the cover:



- Open the single-phase kit box, move the terminal block and insert the nut and screw as shown in the figure:



- Bring the motor cable through the cable gland and make the electrical connection to the terminal block as follows:



- Fasten the terminal block box and close the cover:



The sticker on the side of the electrical box indicates the type of power supply for which the motor has been configured. For connection to the main line, refer to the USE and MAINTENANCE manual